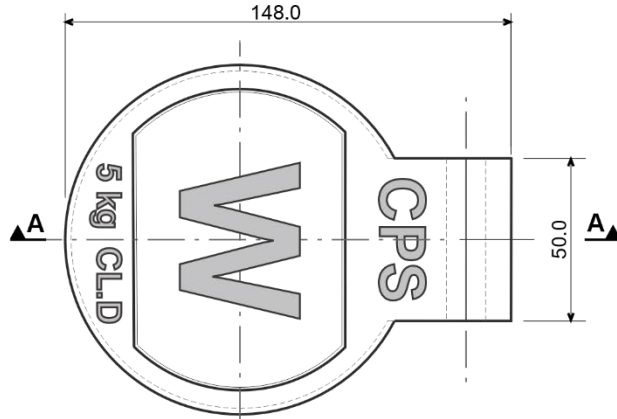
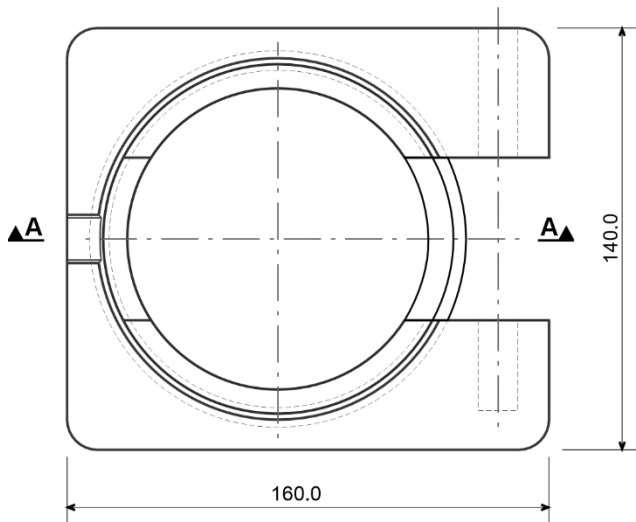
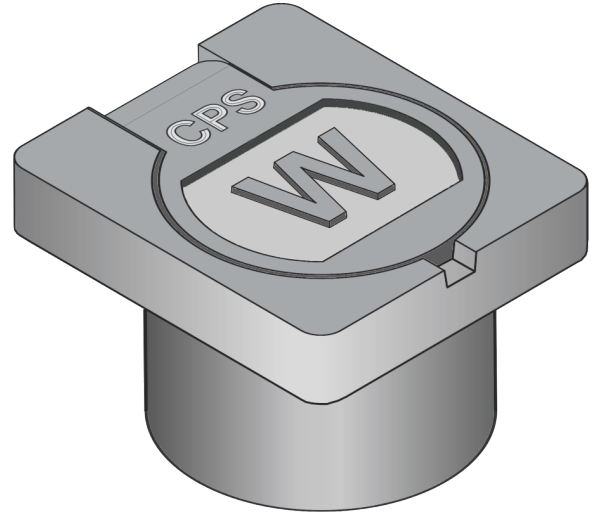


APPLICATION

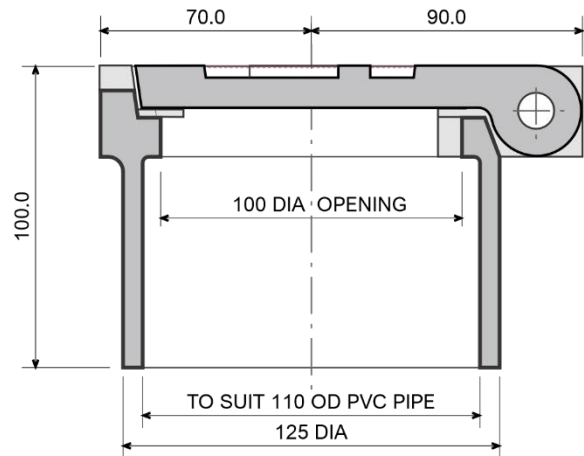
Class D Toby Box assemblies are suitable for valve installations in trafficable applications.



HINGED LID



BODY



SECTION A - A

COMPONENTS

PART	MATERIAL
Body	Cast Iron Gr T-220 (Black matte Alkyd resin coating)
Hinged Lid	Cast Iron Gr T-220 (Black matte Alkyd resin coating)
Hinge Pin	12 Dia SS Solid Rod (Stainless Steel Gr 304 min)

CIVILPIPES PTY LTD

ABN 30 168 566 667
2 Potassium St. Narangba Qld 4504
PO Box 304, North Lakes Qld 4509



Web:
civilpipes.com.au



Telephone:
+61 7 3053 3456



E-mail:
sales@civilpipes.com.au

